



1900 Wellworth Ave. • Jackson, MI 49203
517-787-2100

Submittal Data

A-VMH018SU-1A

Project Name:		Approval:	
Location:		Date:	
Engineer:		Construction:	
Submitted to:		Unit #:	
Submitted by:		Drawing #:	
Reference:			

Model	VMH218SU-1A
Indoor	B-VMH18SU-1A
Outdoor	A-VMH18SU-1A



PERFORMANCE DATA

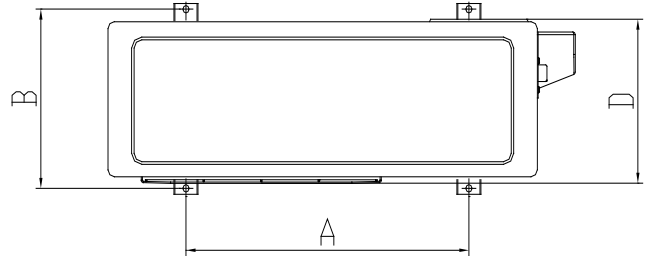
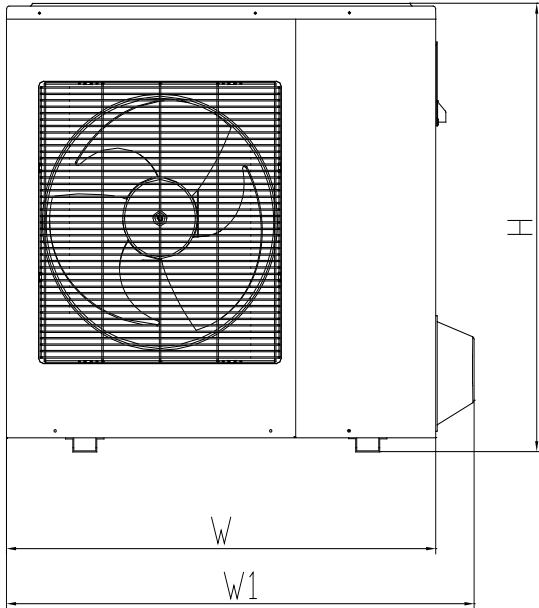
Power supply	Ph-V-Hz	208-230V~60Hz, 1Ph
Cooling		
Capacity	Btu/h	17000
Input	W	1360
Rated current	A	6.0
EER	Btu/w	12.5
SEER	Btu/w	20
Heating		
Capacity	Btu/h	18000
Input	W	1685
Rated current	A	7.4
COP	W/W	3.13
HSPF4		10.3
HSPF5		8.8
heating at 17F	Btu/h	22,750
heating at 5 F (-15°C)	Btu/h	18,250
MINIMUM CIRCUIT AMPACITY	A	18
MAX.FUSE	A	25
Compressor Electrical		
Model		ATF235D22UMT
Type		ROTARY
Brand		GMCC
Capacity	Btu/h	24345
Input	W	1970
Rated current(RLA)	A	.4
Locked rotor Amp(LRA)	A	----
Thermal protector		----
Thermal protector position		----
Refrigerant oil/oil charge	ml	POE(VG74)/670
Connection wiring		----
Plug type		----
Thermostat type		Remote control

Outdoor fan motor		
Model		ZKFN-50-8-2
Brand		
Input	W	115
RLA	A	.55
LRA	A	--
Winding Resistance	Ω	--
Capacitor	uF	--
Speed	r/min	
Air flow & Noise level		
Outdoor air flow	CFM	1355
Outdoor noise level	dB(A)	57.5
Outdoor unit		
Dimension(W*D*H)	inch	33.27x14.29x27.64
Packing (W*D*H)	inch	37.99x15.55x29.72
Net/Gross weight	lbs.	107.4/115.1
Ambient temperature		
Outdoor(cooling/heating)	Deg. F	5~122/-22~86

SYSTEM DATA			
Design pressure	PSIG	550/340	
Refrigerant type	oz	R410A	
Refrigerant precharge	ft	68.8	
Additional charge per ft.	oz	0.161	
Liquid side/ Gas side	mm(in)	Φ6.35/Φ12.7(1/4"/1/2")	
Max. refrigerant pipe length	ft	98	
Max. height difference between	OU	ft.	66

Submittal Data

A-VMH18SU-1A - Outdoor Unit



Model	W (inch)	D (inch)	H (inch)	W1inch)	A(inch)	B (inch)
A-VMH18SU-1A	33.3	27.6	12.6	35.7	22	13.2